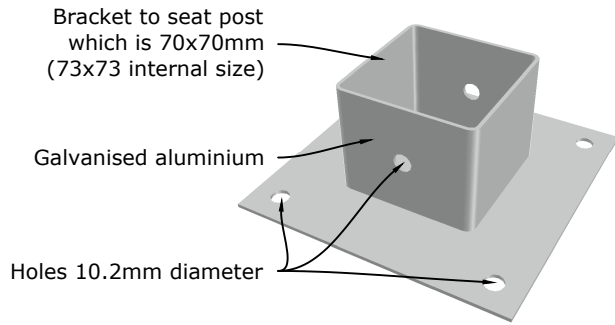
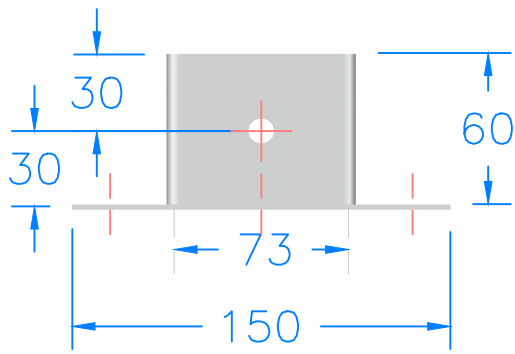
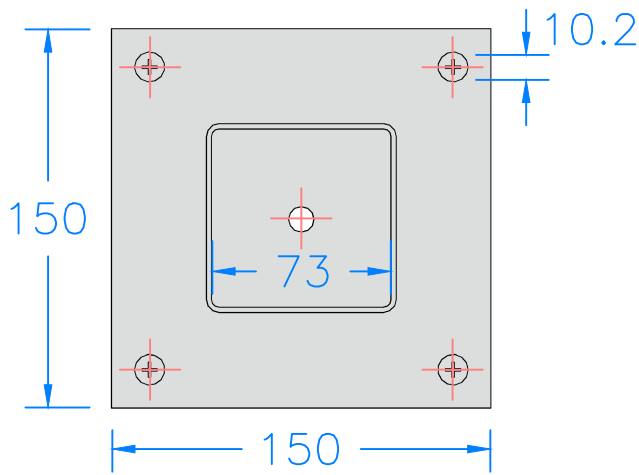


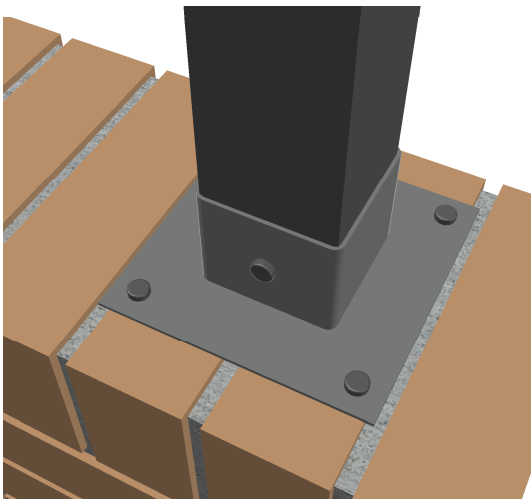
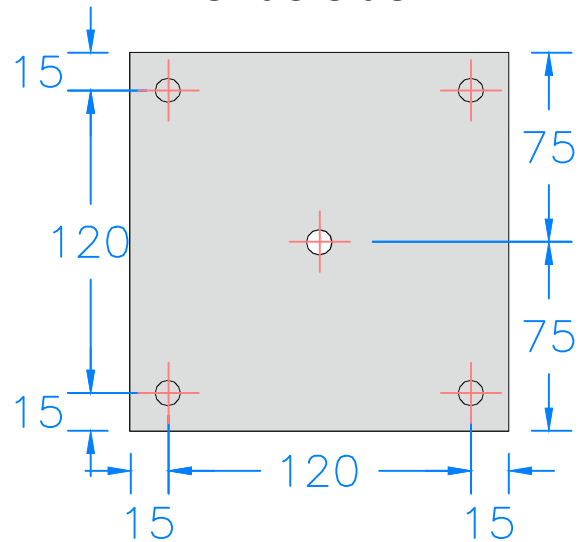
Front Elevation



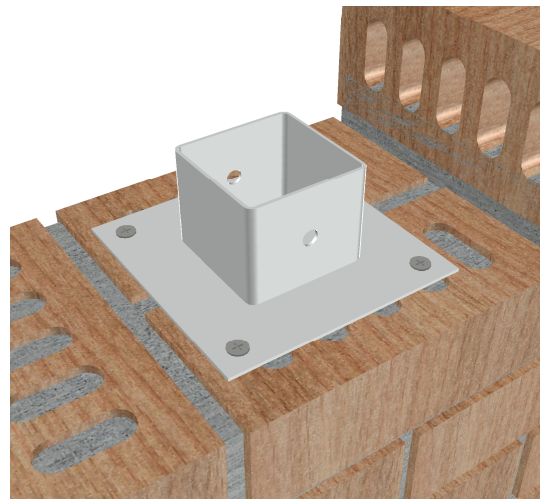
Plan View



Underside



Fitted 'on show' - powder coated at additional cost.



Fitted within brickwork - to be galvanised only.



Architectural
Fibreglass
Mouldings Ltd

Post Bracket - Specification

Globe Works, Richmond Street, Accrington, Lancashire, BB5 0RH

Tel: 01254 357000 Fax: 01254 357011

Email: info@fibreglassmouldings.co.uk

Drawn by: JR

Approved: SH

13/05/2022