

# The AFM Roofing System

Price List April 2011

## Material required to cover 1square metre of roof

Code	Product	Quantity	Price
	Base Coat	1.5kg	00.00
	Top Coat	0.66kg	00.00
	450 Gramm Matt (1 square metre = 0.5kg)	0.5kg	00.00
	600 Gramm Matt (1 square metre = 0.75kg)	0.75kg	00.00
	Catalyst (1kg = 1 litre)	0.075	00.00

## Raw Materials

Code	Product	Quantity	Price
ROOFINGMATS01	Base Coat	10kg	£3 kg
ROOFINGMATS02	Top coat pigmented	10kg	£5 kg
ROOFINGMATS03	Matting 450	5kg	£3 kg
ROOFINGMATS04	Matting 600	5kg	£3 kg
ROOFINGMATS05	Catalyst	1kg	£5 kg
ROOFINGMATS06	Catalyst Dispenser		£6
ROOFINGMATS07	Jointing Tape	65 metre	£16 per roll
ROOFINGMATS08	Acetone (1kg = 1 litre)	10 litres	£2.50 kg

Architectural Fibreglass Mouldings Ltd  
Globe Works, Richmond Street, Accrington BB5 0RH

Order Line 01254 357000 Fax 01254 357011  
info@fibreglassmouldings.co.uk [www.fibreglassmouldings.co.uk](http://www.fibreglassmouldings.co.uk)

# The AFM Roofing System

Price List April 2011

## Ancillaries

Code	Product	Size	Price
ROOFINGMATS09	Laminating Brush	2 inch 12/box	£1 per brush
ROOFINGMATS10	Paddle Roller	75mm	£5 each
ROOFINGMATS11	Paddle Roller	150mm	£5 each
ROOFINGMATS12	Pile Roller Handle	175mm	£3 each
ROOFINGMATS51	Pile Roller Refill	175mm	£2 each
ROOFINGMATS13	Pile Roller Handle	75mm	£3 each
ROOFINGMATS52	Pile Roller Refill	75mm	£1.10 each
ROOFINGMATS14	Bucket	10 Litre	£2 each
ROOFINGMATS15	Bucket	5 Litre	£1 each
ROOFINGMATS16	Bucket	2.5 Litre	£1 each
ROOFINGMATS17	Extension Handle		£2 each
ROOFINGMATS18	Laminating Gloves	Size 10	£2 each
ROOFINGMATS19	Grey Sealant		£2 tube
ROOFINGMATS20	White Silicone		£2 tube
ROOFINGMATS21	Clear Silicone		£2 tube
ROOFINGMATS22	Cloth Overall	s/m/l	£6 each
ROOFINGMATS23	Eye Wash		£5 per bottle

# The AFM Roofing System

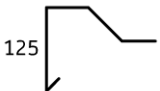


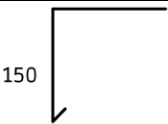

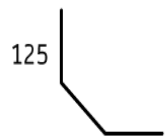
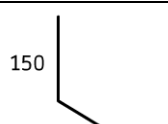
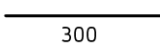
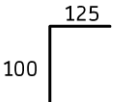

Price List April 2011

## Plywood Timber and Insulation

Code	Product	Size	Price
ROOFINGMATS25	18mm Spruce ply	2.44x1.22	£23 per sheet
ROOFINGMATS26	12mm ext ply	2.44x1.22	£12 per sheet
ROOFINGMATS27	Batten	50x25mm	50p per metre
ROOFINGMATS28	Batten	50x50mm	75p per metre
ROOFINGMATS29	50mm Insulation	2.44x1.22	£15 per sheet
ROOFINGMATS30	Wool insulation	100mmx14msq	£20 per roll

# The AFM Roofing System


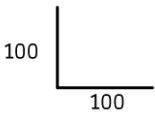
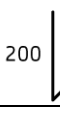
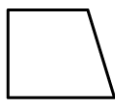
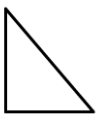
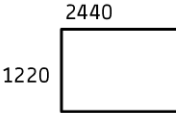
Price List April 2011

Code	Profile	Product	Price
ROOFINGMATS31		125mm water retention trim	£15 each
ROOFINGMATS32		175mm water retention trim	£18 each
ROOFINGMATS33		100mm water run off trim	£15 each
ROOFINGMATS34		150mm water run off trim	£17 each
ROOFINGMATS35		250mm water run off trim	£20 each
ROOFINGMATS36		125mm standard roof fillet trim	£15 each
ROOFINGMATS37		150mm roof fillet trim	£17 each
ROOFINGMATS38		300mm flat trim	£15 each
ROOFINGMATS39		100mm flashing trim	£15 each
ROOFINGMATS40		Expansion joint trim	£20 each

\* All trims are supplied in slate grey

# The AFM Roofing System

Price List April 2011

Code	Profile	Product	Price
ROOFINGMATS41		Lead Roll trim	£20 each
ROOFINGMATS42		90° trim	£15 each
ROOFINGMATS43		200mm drip trim	£16 each
ROOFINGMATS44		50mm timber water retention	£1.25 per metre
ROOFINGMATS45		30mm timber water retention	£1 per metre
ROOFINGMATS46		8x4 2mm flat sheet	£75 per sheet

All trims are supplied in slate grey  
All Trims are supplied 2440mm Long.

## Marketing Literature

Code	Product	Quantity	Price
ROOFINGMATS47	Roof Display	1	£500
ROOFINGMATS48	Guarantee *		
ROOFINGMATS49	Labels*	500	
ROOFINGMATS50	Brochure*	500	

Free carriage on orders over £1000 excluding ply, plus vat  
Ask for more details on carriage under £1000  
Delivery 1 week from order  
Minimum order £100 + vat

\* Personalised