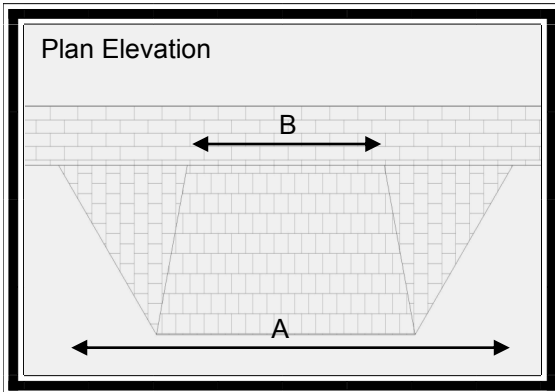


# Hipped Bay Tops



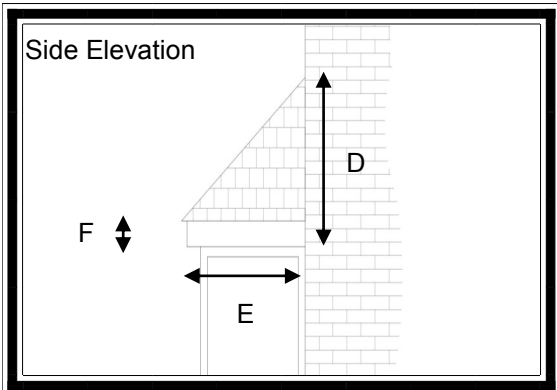
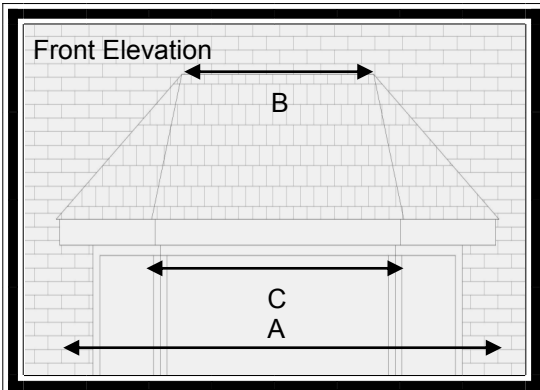
**Features**

- \* Rosemary tile top
- \* Hipped style
- \* Choice of roof colours
- \* Slate Top
- \* Easy to fit



A finishing touch to any bay window. Available in a Rosemary Tile effect and slate roof with a selection of colours i.e. brown, terracotta or grey, the soffit is white.

Easy to fit over existing bay with overhang to accommodate guttering if necessary.



For sizes and dimension of canopies available refer to table below.

**Dimensions**

Type	A (Soffit)	B	C (Soffit)	D + 70mm Flash	E (Soffit)	F (Soffit)	Roof Pitch (deg)	Hip Angle (deg)
A	2720	1300	1240	540	1030	130	35	57
B	2820	1270	1270	420	765	130	32	44
C	2960	930	1480	460	730	130	32	44
D	2960	1070	1480	650	740	130	45	44
E	2830	1060	1360	700	690	130	43	45
F	3110	1010	1200	340	420	160		27
G	3220	1200	2120	720	860	160		60

\*Overhang of roof over soffit is 40mm



# Hipped Bay Tops (cont.)

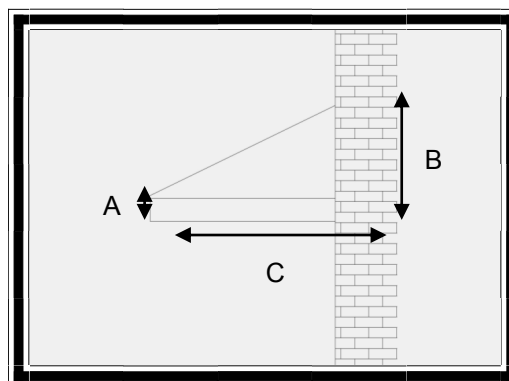
## Dimensions

Type	A (Soffit)	B	C (Soffit)	D + 70mm Flash	E (Soffit)	F (Soffit)	Roof Pitch (deg)	Hip Angle (deg)
H	2880	1200	1980	440	700	190		60
I	2840	1150	1410	640	470	190		30

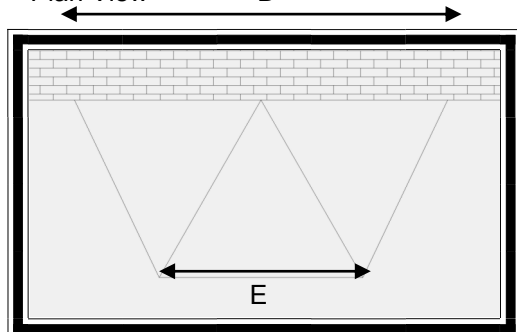
# Pointed Hipped Bay Tops



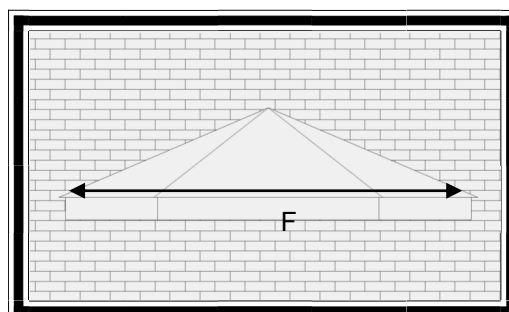
Side Elevation



Plan View



Front Elevation



## Dimensions

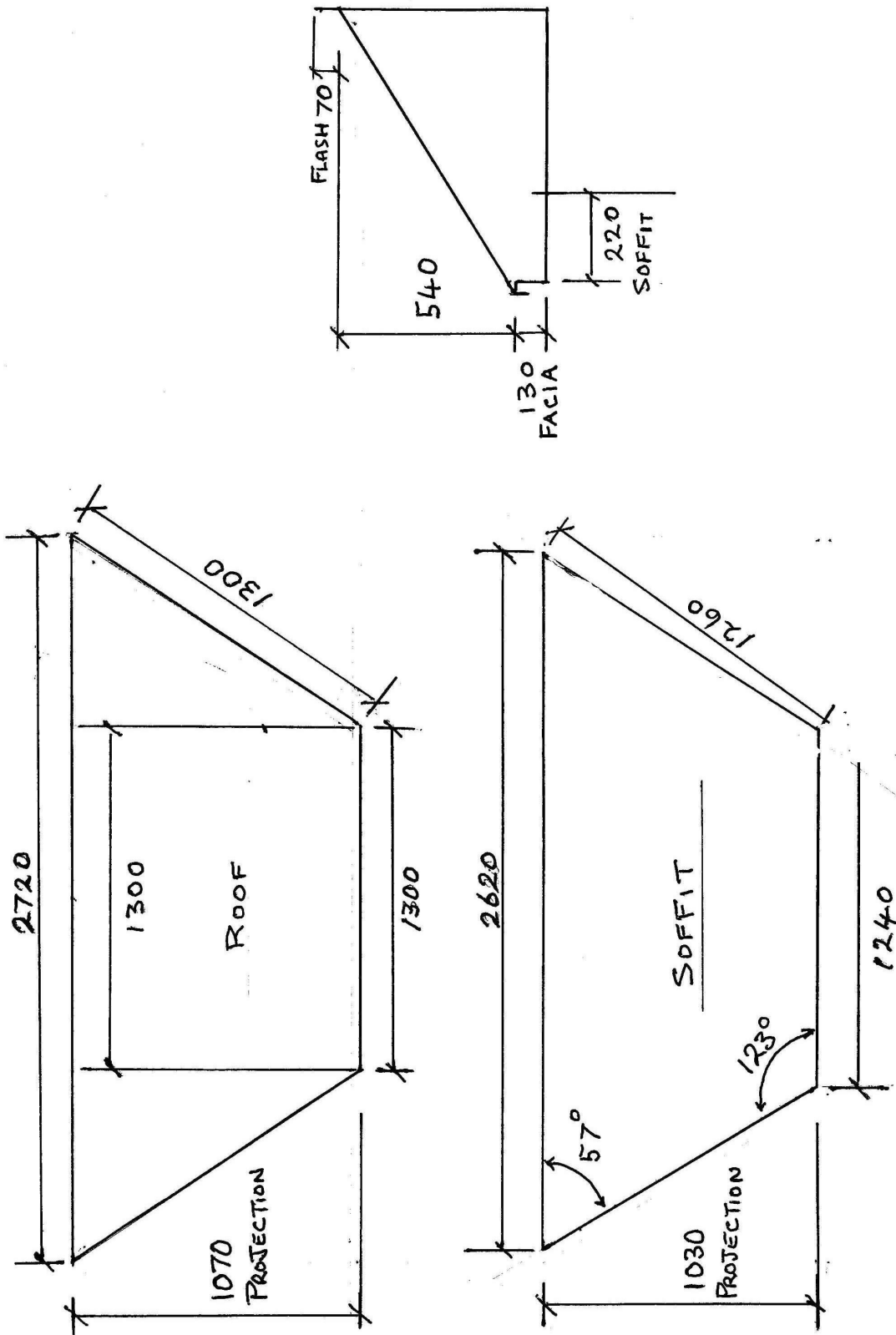
Type	A (Soffit)	B + 70mm Flash	C (Soffit)	D	E	F (Soffit)	Soffit angle (deg)
K	150	590	1350	2830	1550	2740	65
L	150	590	1245	2870	1500	2800	60
M	150	700	1140	2630	1365	2540	60

# Hipped Bay Tops (Type A)



1:20

TYPE 'A'

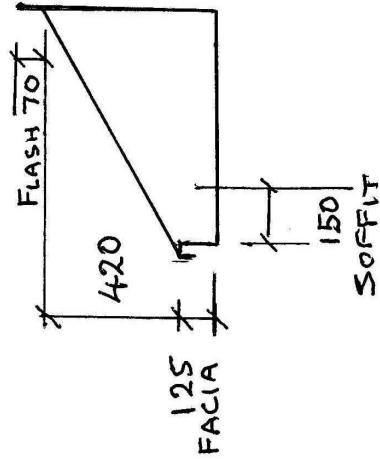
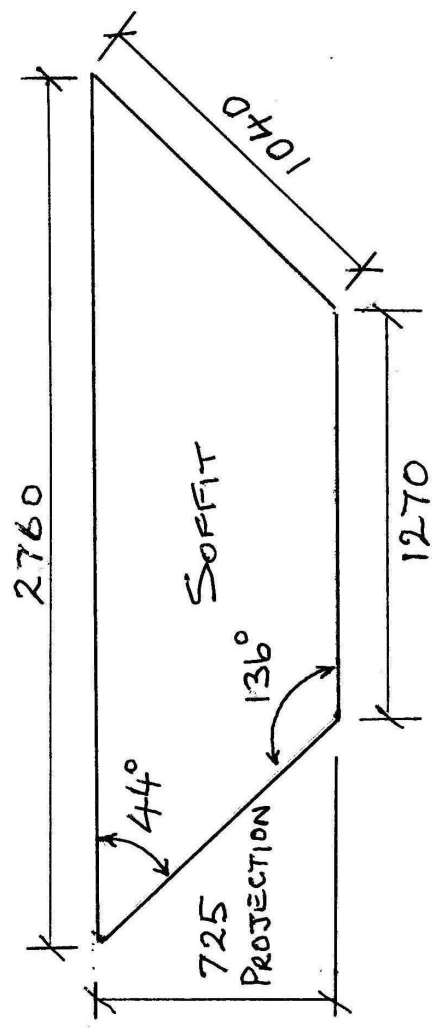
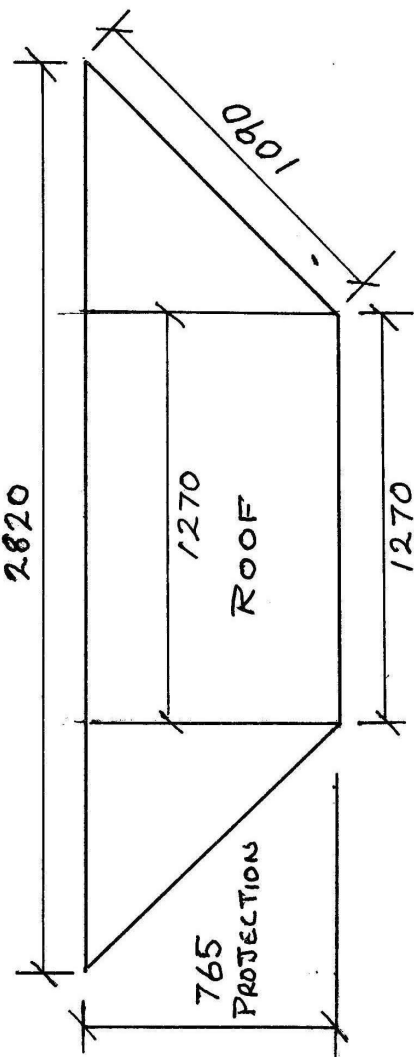


# Hipped Bay Tops (Type B)



1:20

TYPE 'B'

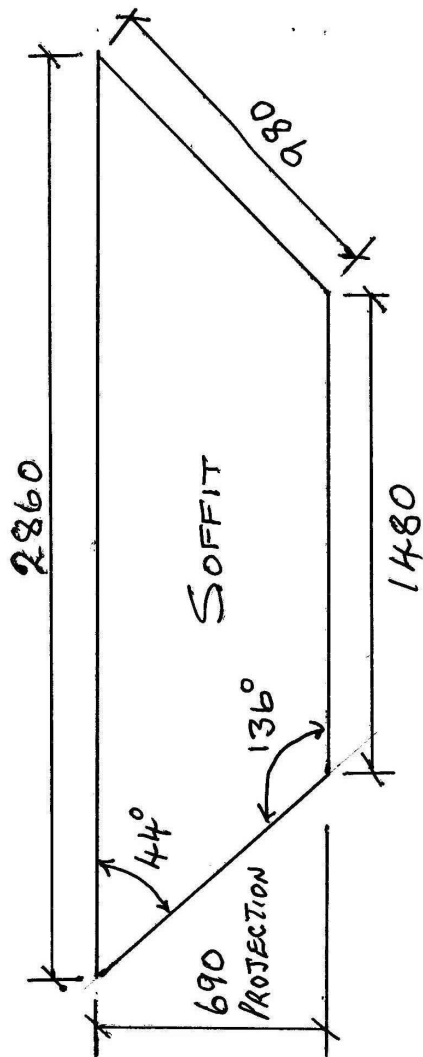
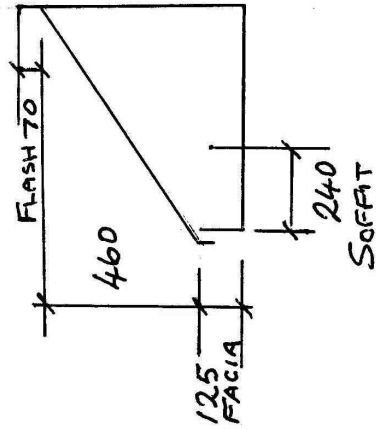
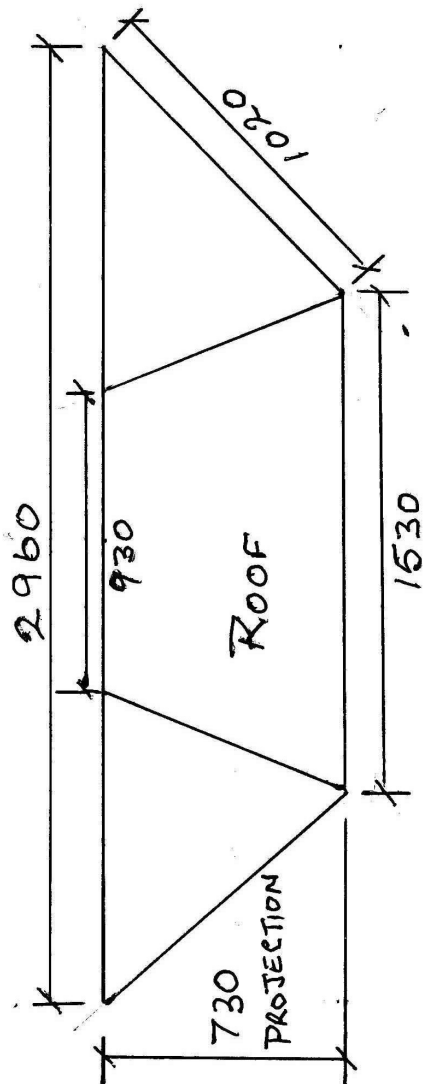


# Hipped Bay Tops (Type C)



1:20

TYPE C

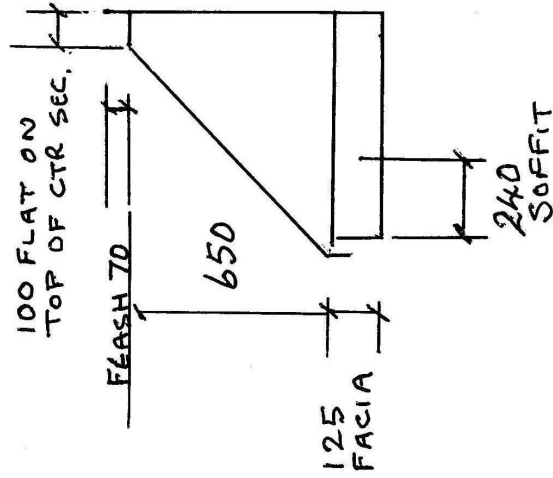
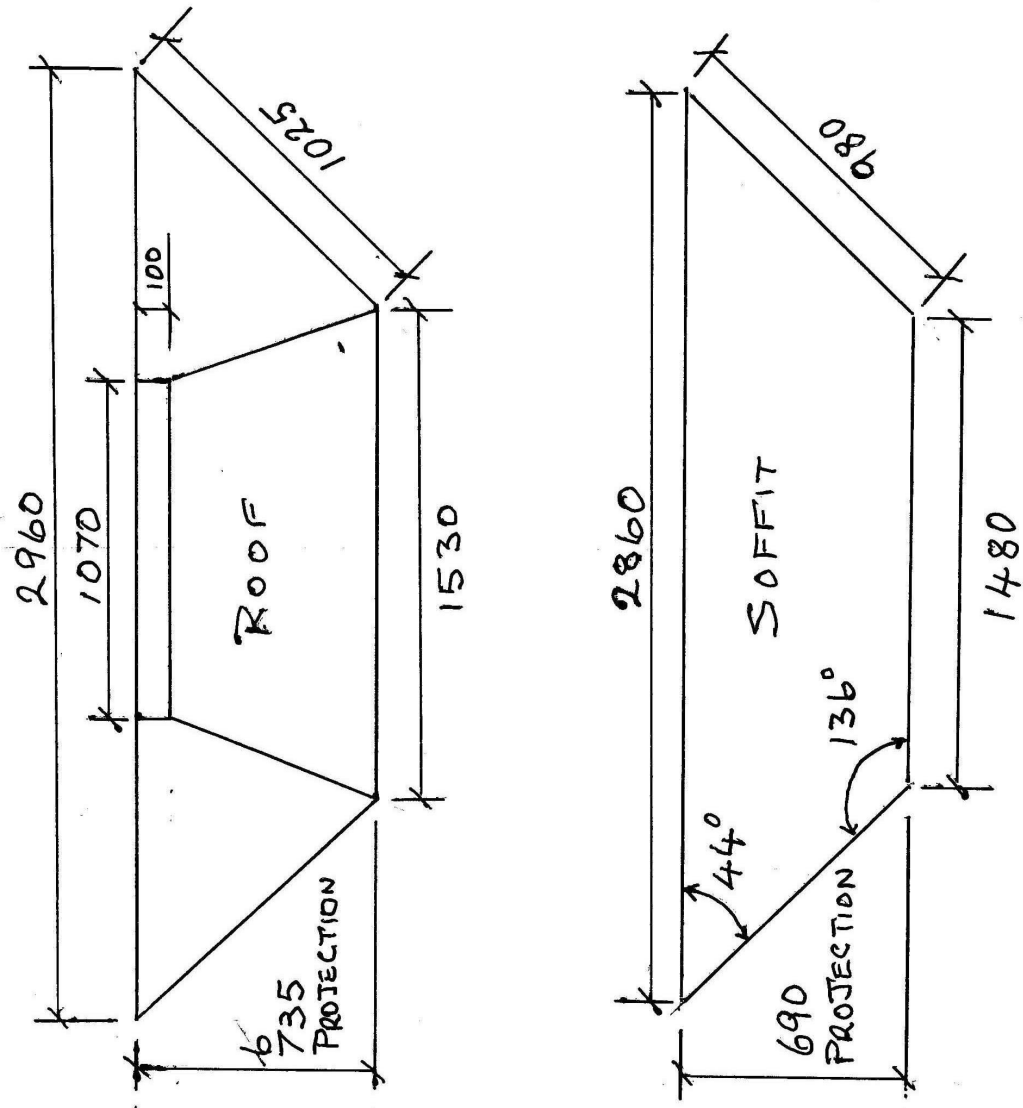


# Hipped Bay Tops (Type D)



1:20

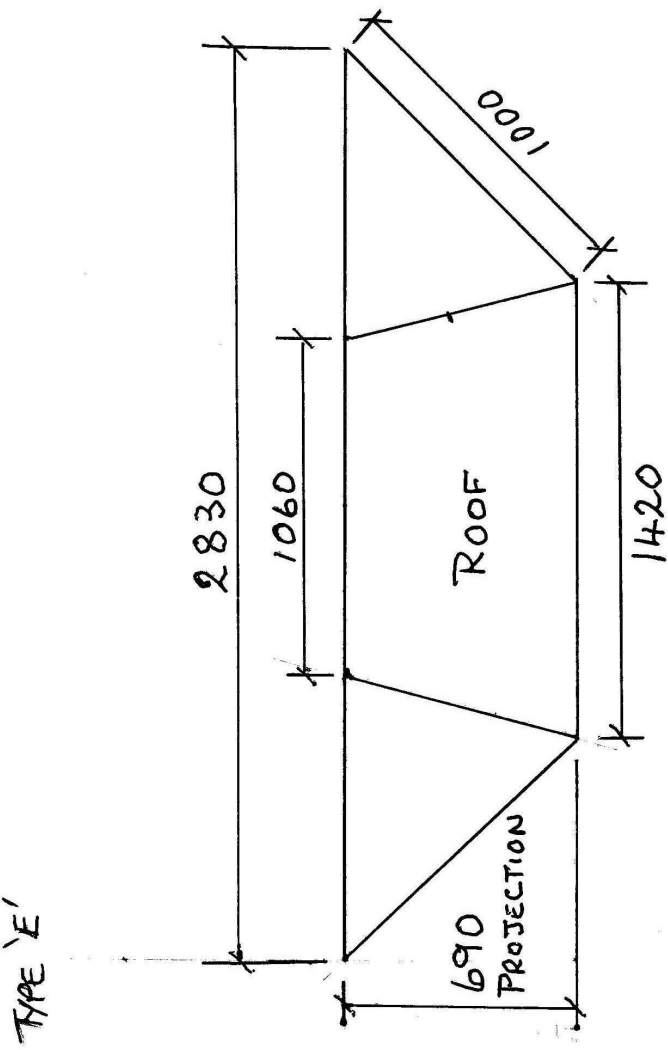
TYPE D



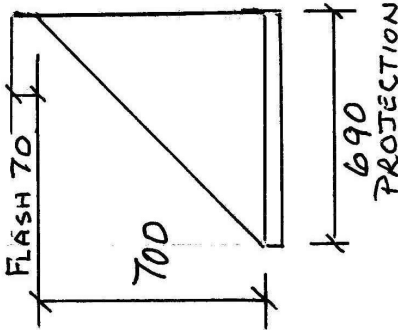
# Hipped Bay Tops (Type E)



1:20



SHATE ROOF  
NO SOFFIT

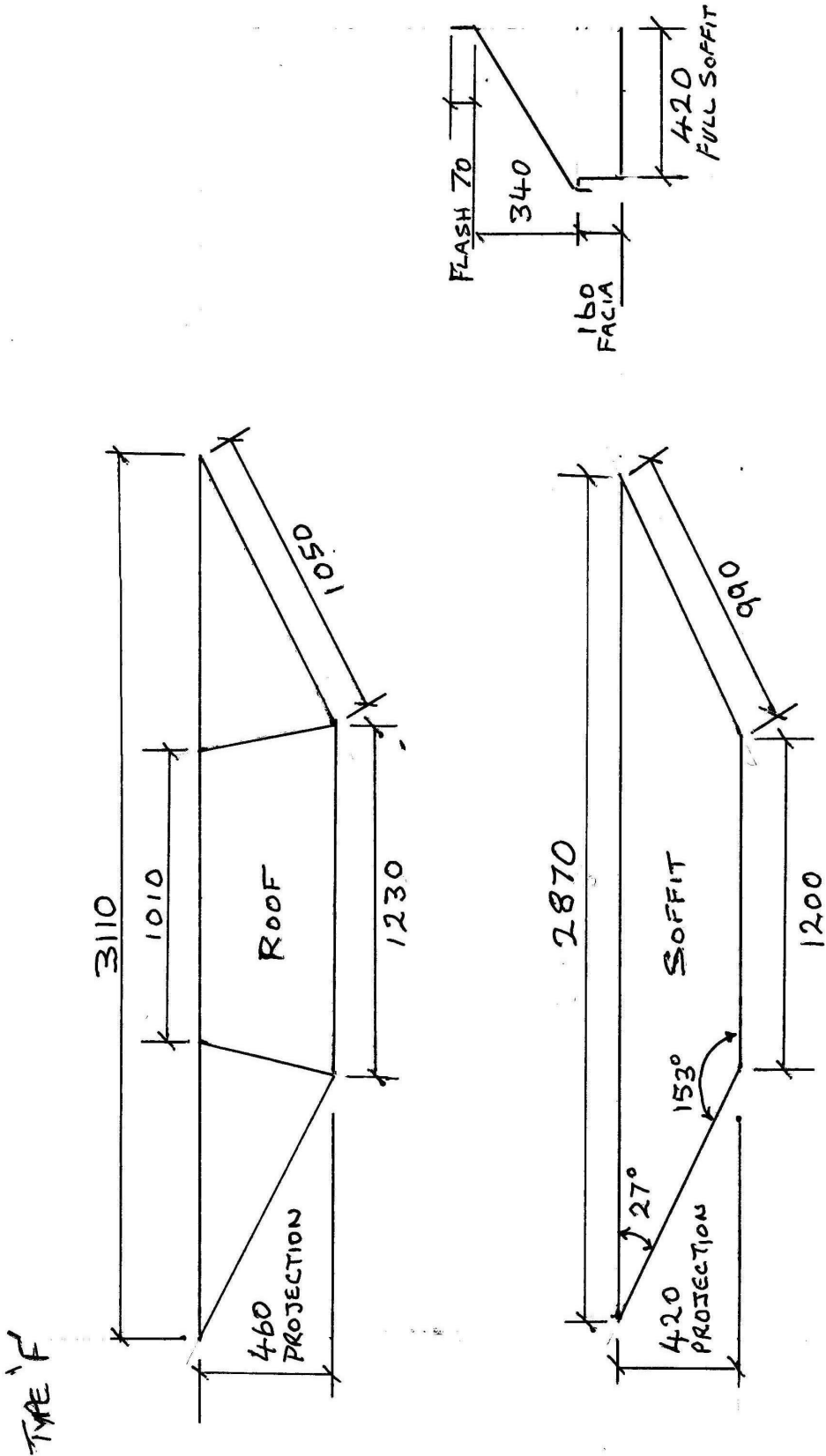


TYPE 'E'

# Hipped Bay Tops (Type F)



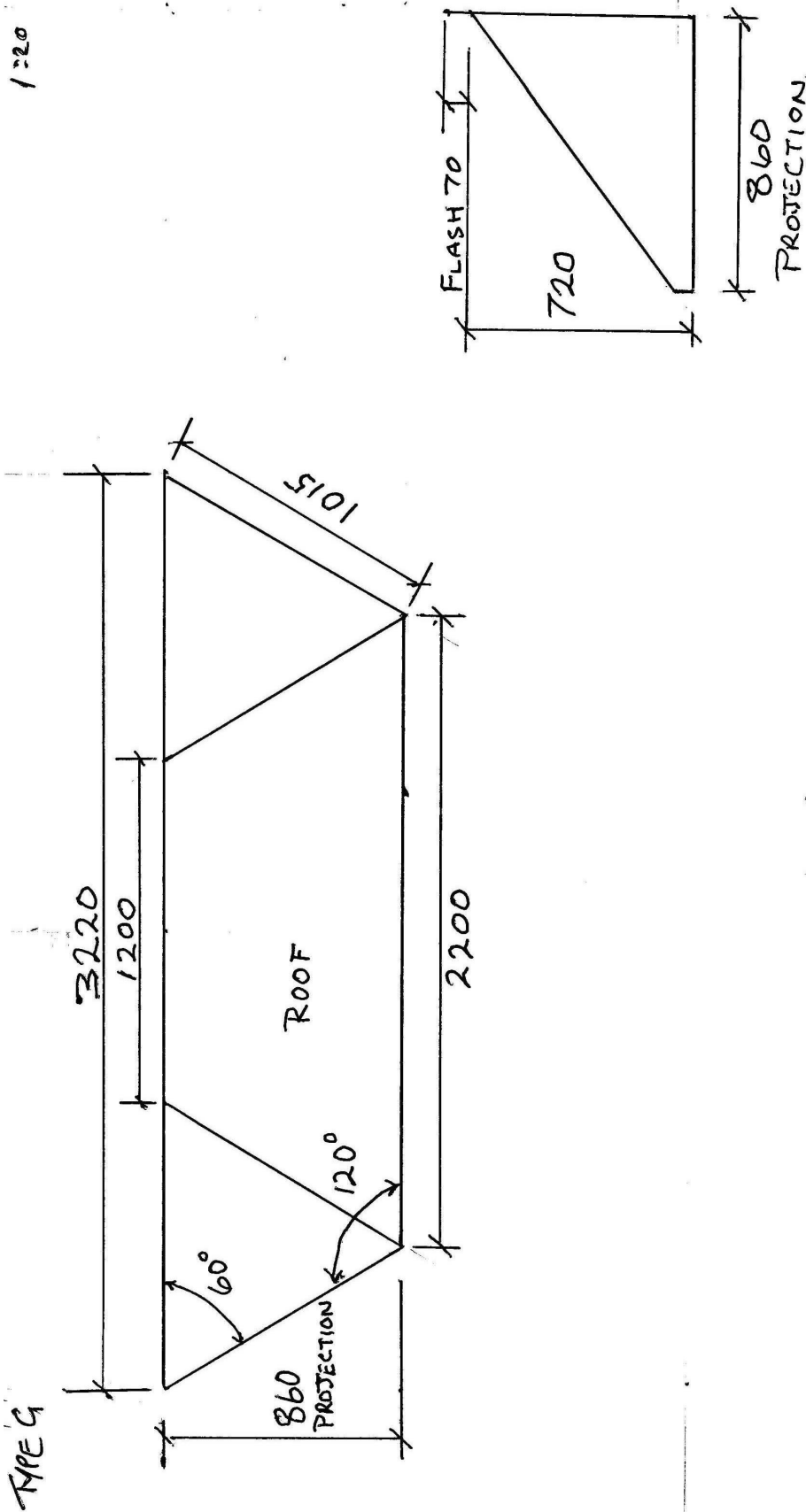
1:20



TYPE 'F'



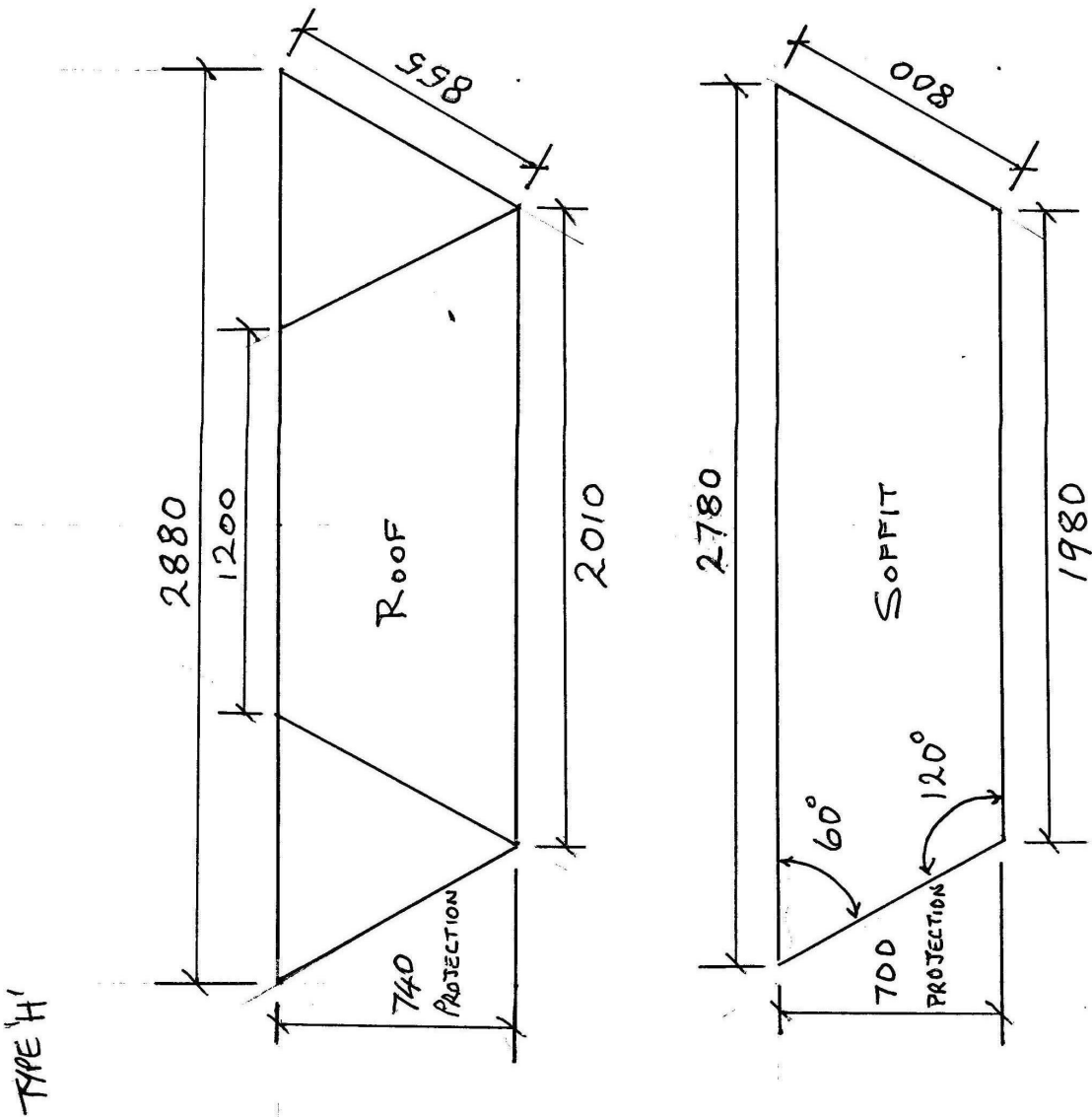
# Hipped Bay Tops (Type G)



# Hipped Bay Tops (Type H)



1:20

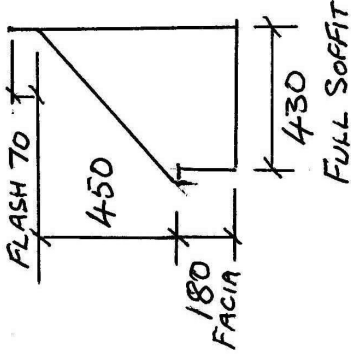
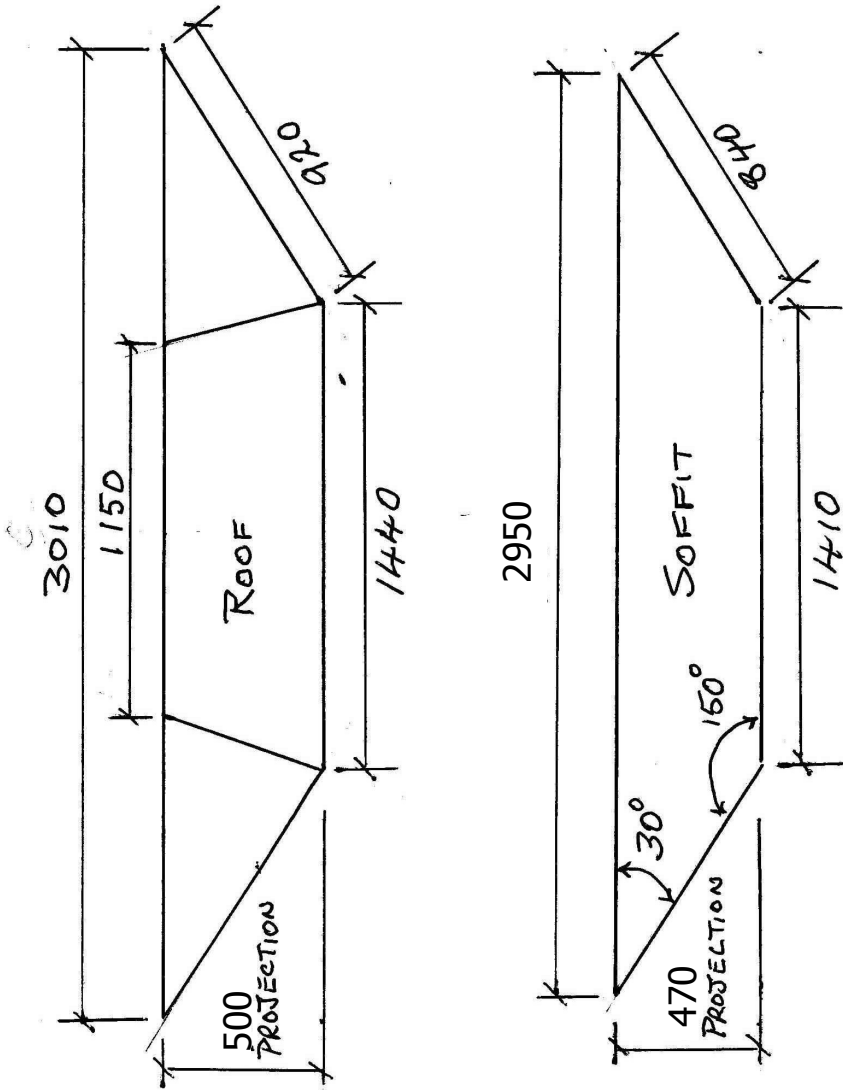


# Hipped Bay Tops (Type I)



1:20

TYPE 'I'

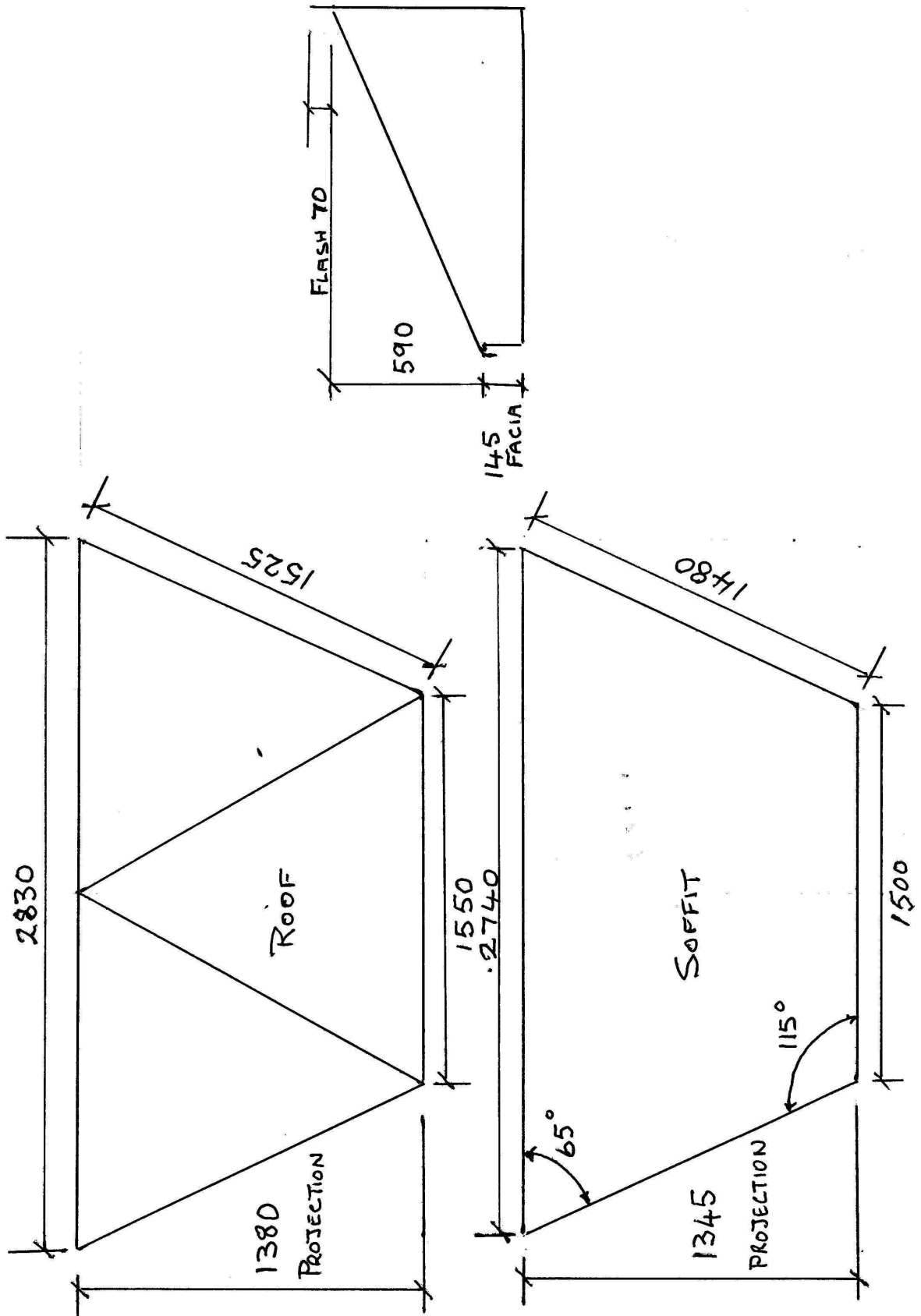


# Hipped Bay Tops (Type K)



1:20

TYPE 'K'

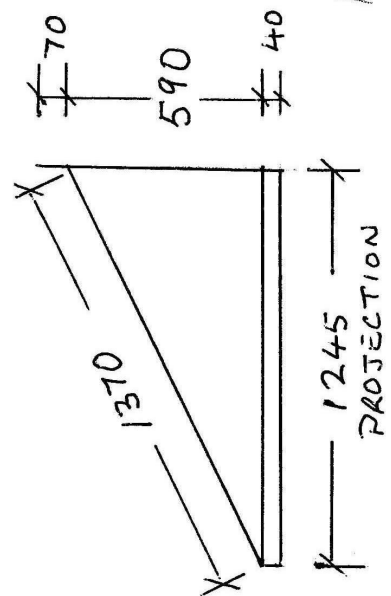
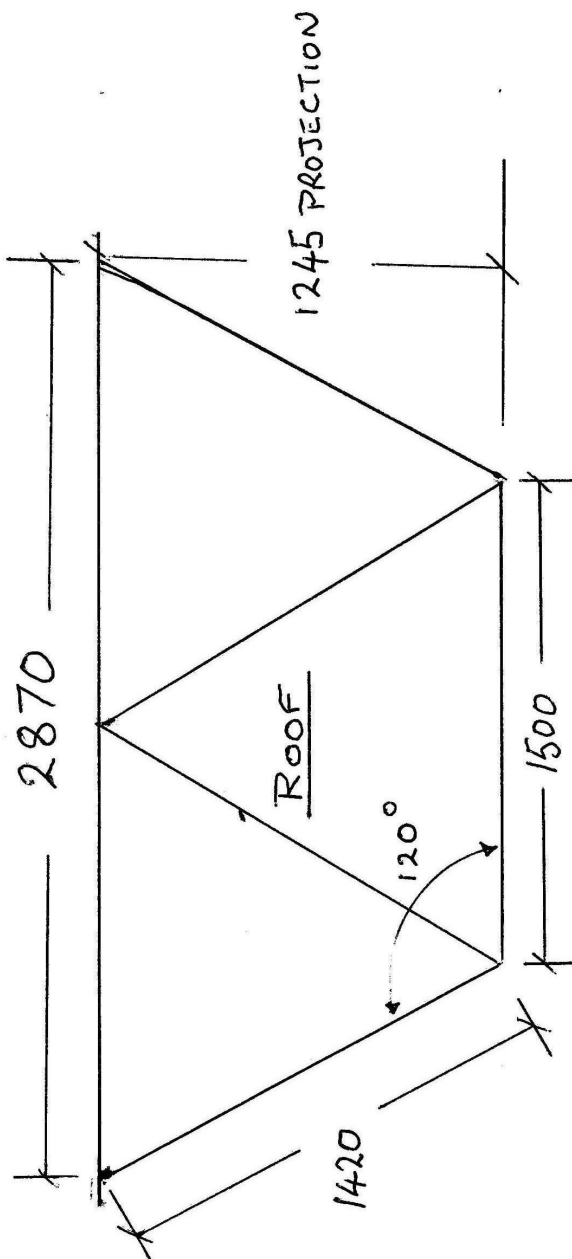


# Hipped Bay Tops (Type L)



1:2

TYPE 'L'



1:20

\* No SOFFIT

# Hipped Bay Tops (Type M)



TYPE 'M'

1:20

