

FLAT GLASS CANOPY 6mm FALL 3 HANGERS WITH GUTTER

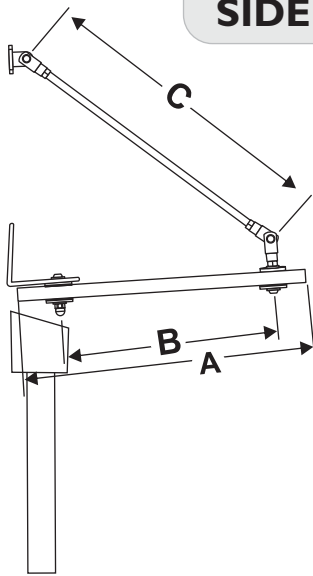
PHOTO



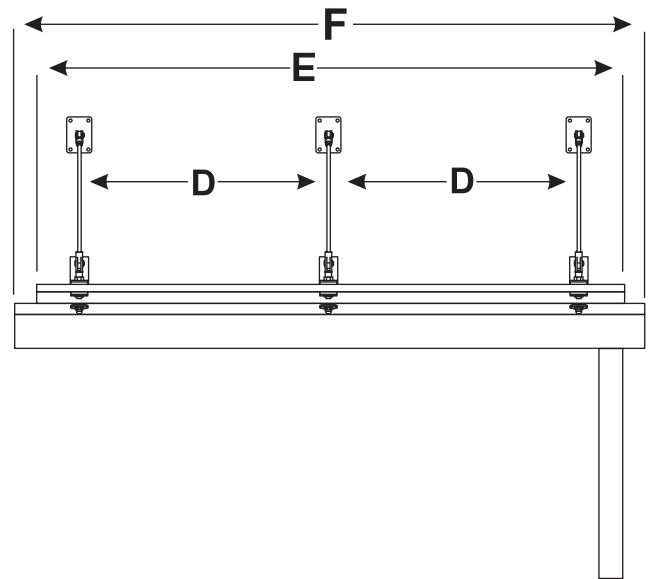
PHOTO



SIDE ELEVATION



FRONT ELEVATION



DESCRIPTION

Elegant and Modern Gallows Angle Brackets canopies 17.5mm Flat Laminated Glass with polished edges. 6mm Projectional fall of glass with 3 Hangers and Gutter. Material Stainless Steel brackets Great corrosion resistant for specified application.

DIMENSION

A	B	C	D	E	F
720	640	1043	925	2000	2100
720	640	1043	1075	2300	2400
720	640	1043	1175	2500	2600
720	640	1043	1275	2700	2800
720	640	1043	1350	2950	3000

SPECIFICATION

ITEM

1. ANGLE BRACKETS LARGE WITH 6MM FALL
2. 17.5mm FLAT LAMINATED GLASS
3. 40MM O/D WRAS EDPM RUBBER WASHER
4. M8 X 40MM BUTTON HEAD SCREWS
5. M8 X 30MM BUTTON HEAD SCREWS
6. M8 TIE ROD 667MM - 995MM
7. HANGER END M8 LUG OPEN
8. HANGER END M8 CLOSED
9. CLAMP DISC 3MM
10. CLAMP DISC 4MM
11. E-CLIP (CIRCLIP)
12. CONNECTING PIN
13. DOME NUT
14. WALL BRACKETS
15. M8 NUTS
16. GUTTER WITH DOWN PIPE

Drawn By: Approved By:

ASH

Title:

CANOPY
ASSY

DRG No.: GC1085



Architectural
Fibreglass
Mouldings Ltd

Units are in MM

Sheet No. 1 of 1

Scale: NTS

Sheet Size: A4

