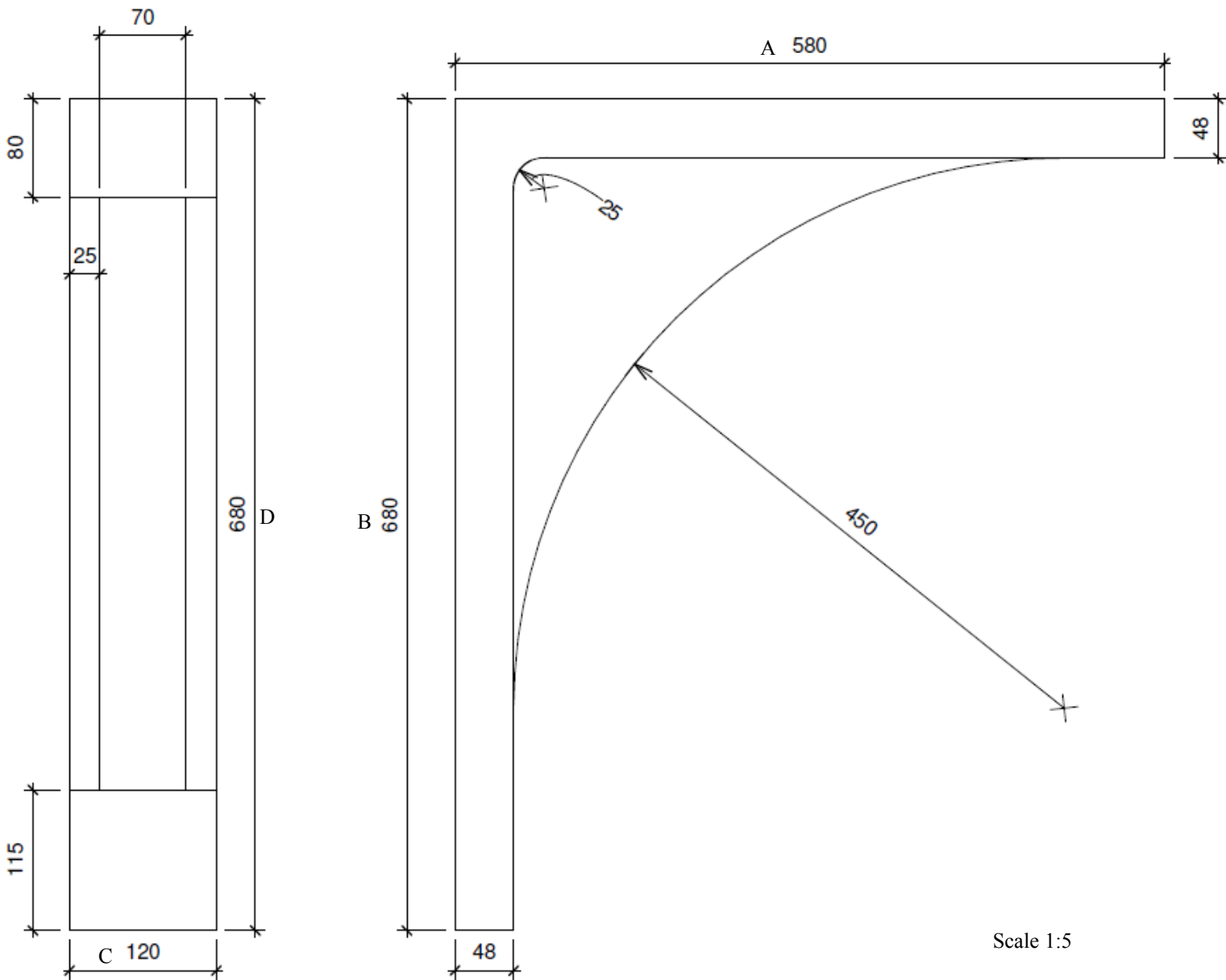


Dentil Leg



Dimensions

A	B	C	D
580	680	120	680

Globe Works, Richmond Street, Accrington, Lancashire, BB5 0RH
 Tel: 01254 357000 Fax: 01254 357011
 www.fibreglassmouldings.co.uk email: info@fibreglassmouldings.co.uk
 England Reg. No. 04979363 VAT No. 831 9972 94

For size and dimension of canopy legs please refer to the table below and the scale drawing.